

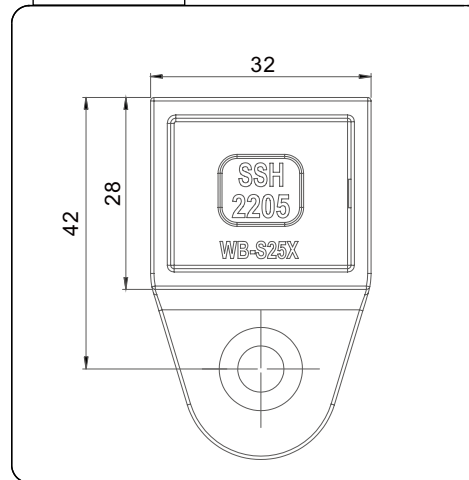
Drawing ID

WB-S25X

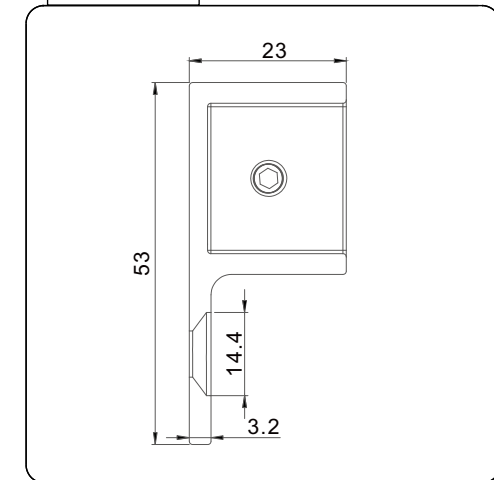
Product Info.

| Finish | Code |
|---------------|----------|
| Polish | WB-S25M |
| Satin | WB-S25S |
| Texture Black | WB-S25B |
| White | WB-S25W |
| Brush Brass | WB-S25BB |

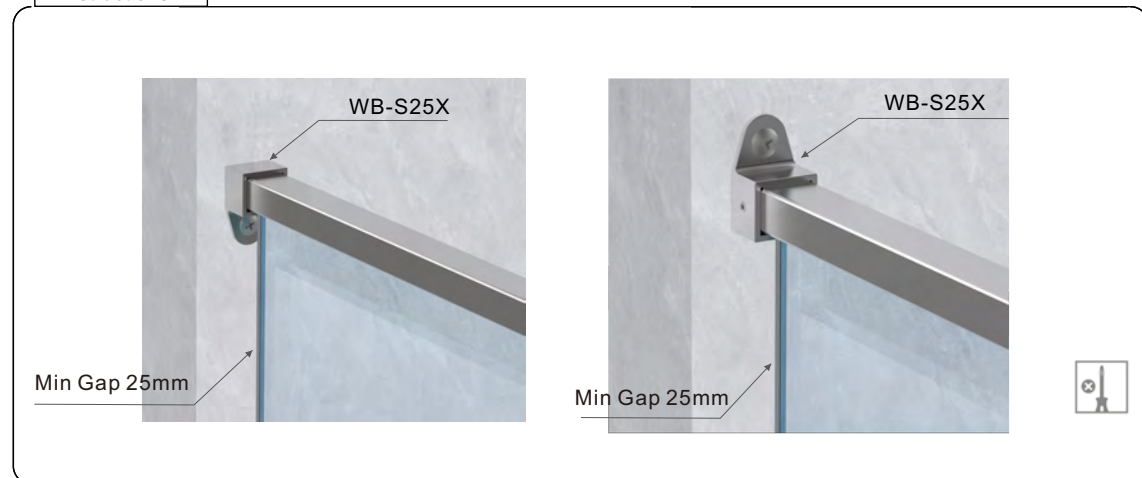
Front View



Side View



Instructions



MATERIAL:

2205 Stainless Steel

CATALOGUE AND DESCRIPTION:

- > Railing Systems
- > TR-S25 Series
- > Bottom Fix Wall Bracket

NOTES:

This drawing and or specification is the property of Silver Stone Hardware Pty Ltd - and must be returned to them on request. Unauthorised use may result in Legal Action. Its contents must not be made public, nor copied, nor used directly or indirectly in any way.

SILVER STONE HARDWARE PTYLID

56-62 Bryant Street, Padstow, NSW 2211
 T: (02) 9792 2955 M: 0452 526 680
www.silverstonehardware.com.au
sales@silverstonehardware.com.au